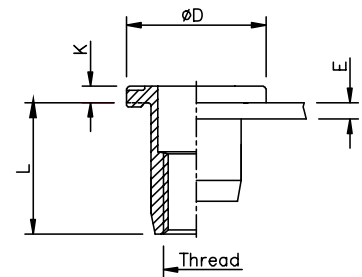
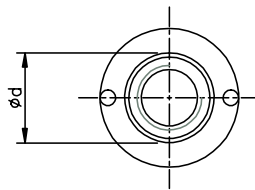
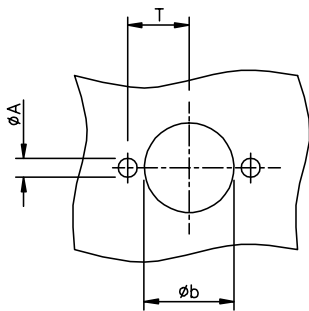


Extra high torque-to-turn values

Stainless Steel 304

Anti-turn head
Round shank
Open end

ATO



New Development

THREAD	TYPE	E = grip	L	b ^{+0,1} = drill dia	d = shank dia	D	K	A	T	kg/1000	ORDER CODE	BOX Q
M6	ATO30	0,5-3,0	14,5	9,0	9,0	14,0	1,5	1,8	6,25	-	-	-
M8	ATO30	0,5-3,0	16,0	11,0	11,0	17,0	2,0	2,3	7,5	7,4	548 1010*	1200
	ATO55	3,0-5,5	18,5							7,8	548 1020*	1000
M10	ATO35	0,8-3,5	21,0	13,0	13,0	19,0	2,0	3,0	8,75	11,3	540 1600*	750

Tool to position Ø A:

M6	AT 206
M8	AT 208
M10	AT 210



*Programme in development (see also pages 6,7 and 8)
Availability and other versions: please contact our Sales Department*

*All dimensions in mm
Technical data subject to modification*

