

Steel

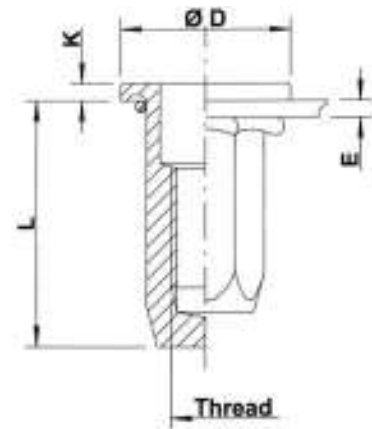
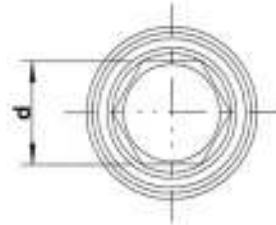
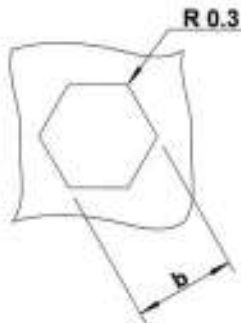
Flat head
Hexagonal shank
Closed end

Zinktop, Cr^{VI}- free (A)
Zinc plated, yellow passivated (B)



with seal
under the head

HX



Steel

| THREAD | TYPE | E = grip | L | b ^{+0,1} = hex hole | d = hex shank | D | K | kg/1000 | ORDER CODE (A) | ORDER CODE (B) | BOX Q |
|--------|--------|-------------|------|------------------------------------|---------------------|------|-----|---------|----------------------|----------------------|----------|
| M5 | HX3001 | 0,5-3,0 | 19,0 | 7,0 | 7,0 | 12,5 | 1,5 | 4,3 | 525 925* | 525 916* | 2500 |
| M6 | HX3001 | 0,5-3,0 | 21,5 | 9,0 | 9,0 | 15,0 | 1,5 | 8,0 | 526 942 | 526 920 | 1250 |
| M8 | HX3001 | 0,5-3,0 | 26,7 | 11,0 | 11,0 | 20,0 | 2,0 | 14,8 | 528 935 | 528 924 | 500 |

* **Non-stock item:** minimum order quantity required after depletion of stock

All dimensions in mm

Technical data subject to modification

Technical information about seal and storage: see page 54

