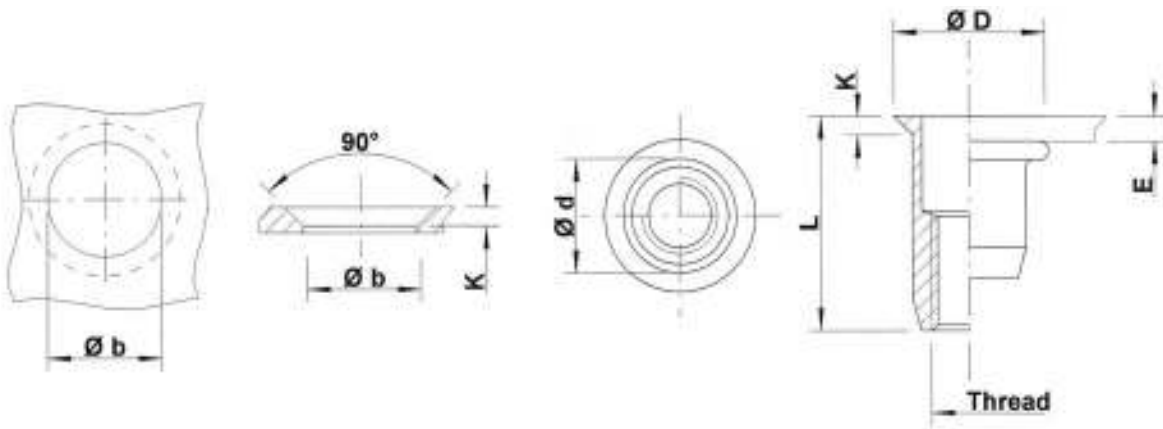




## Aluminium

Countersunk head  
Round shank  
Open end  
**UFO**



THREAD	TYPE	E = grip	L	b <sup>+0,1</sup> = drill dia	d = shank dia	D	K	kg/1000	ORDER CODE	BOX Q
M3	UFO35	1,7-3,5	11,25	5,0	5,0	8,0	1,5	0,4	513 550	10000
M4	UFO35	1,7-3,5	11,5	6,0	6,0	9,0	1,5	0,5	514 350	7500
	UFO50	3,5-5,0	13,0					0,5	514 375	5000
M5	UFO40	1,7-4,0	13,0	7,0	7,0	10,0	1,5	0,7	515 250	5000
	UFO65	4,0-6,5	16,0					0,8	515 275	4000
M6	UFO45	1,7-4,5	17,0	9,0	9,0	12,0	1,5	1,5	516 250	2000
	UFO65	4,5-6,5	19,0					1,6	516 275	2000
M8	UFO45	1,7-4,5	19,0	11,0	11,0	14,0	1,5	2,1	518 175	1250
	UFO65	4,5-6,5	21,0					2,2	518 200*	1250
M10	UFO45	1,7-4,5	21,0	12,5	12,4	15,4	1,5	2,5	510 250*	1000
	UFO65	4,5-6,5	23,0					2,7	510 275*	1000

\* **Non-stock item:** minimum order quantity required after depletion of stock

All dimensions in mm

Technical data subject to modification

