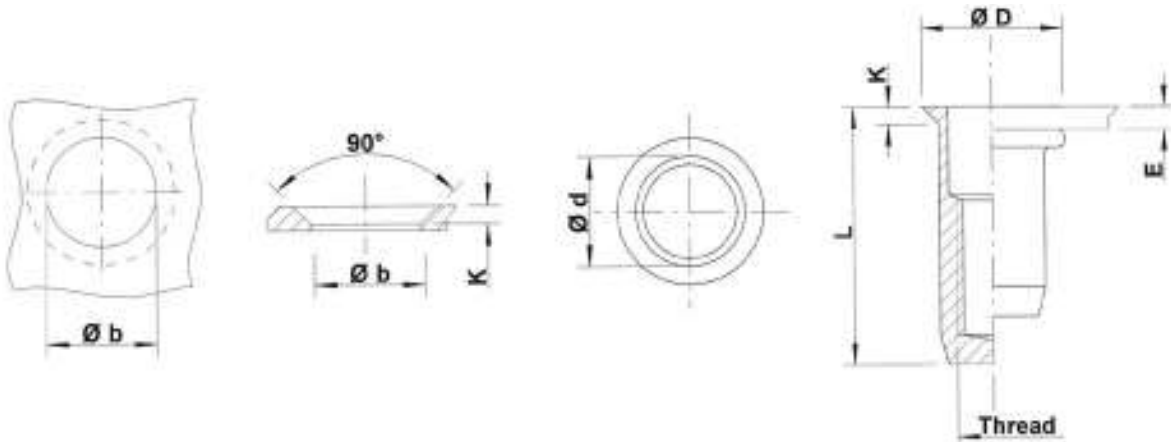


# Aluminium

Countersunk head  
Round shank  
Closed end

UFX



Aluminium

THREAD	TYPE	E = grip	L	b <sup>+0,1</sup> = drill dia	d = shank dia	D	K	kg/1000	ORDER CODE	BOX Q
M4	UFX35	1,7-3,5	15,5	6,0	6,0	9,0	1,5	0,7	514 450	5000
	UFX50	3,5-5,0	17,0						514 475*	
M5	UFX40	1,7-4,0	18,0	7,0	7,0	10,0	1,5	1,0	515 375	3000
	UFX65	4,0-6,5	20,5						515 400*	
M6	UFX45	1,7-4,5	22,0	9,0	9,0	12,0	1,5	2,1	516 400	1500
	UFX65	4,5-6,5	24,0						516 425*	
M8	UFX45	1,7-4,5	25,0	11,0	11,0	14,0	1,5	3,3	518 325*	1000
	UFX65	4,5-6,5	28,0						518 350*	

\* **Non-stock item:** minimum order quantity required after depletion of stock

All dimensions in mm

Technical data subject to modification

